

APEX World, 22-MAR-2024

Flows for APEX and/or APEX Workflow?

Niels de Bruijn, Business Unit Manager Low-Code

GOD III

Two become Hyand Ranked among the top 15 IT service providers in Germany

Kaunas ■ Vilnius ■

Hamburg ■

Wolfsburg ■
Braunschweig ■

Berlin ■

Dortmund ■
Ratingen ■

Wrocław ■

Cologne ■

Frankfurt ■

Ingolstadt ■

Munich ■

Pune ■

> 900

Employees

(of which 160 in shoring
locations)

> 150

Clients

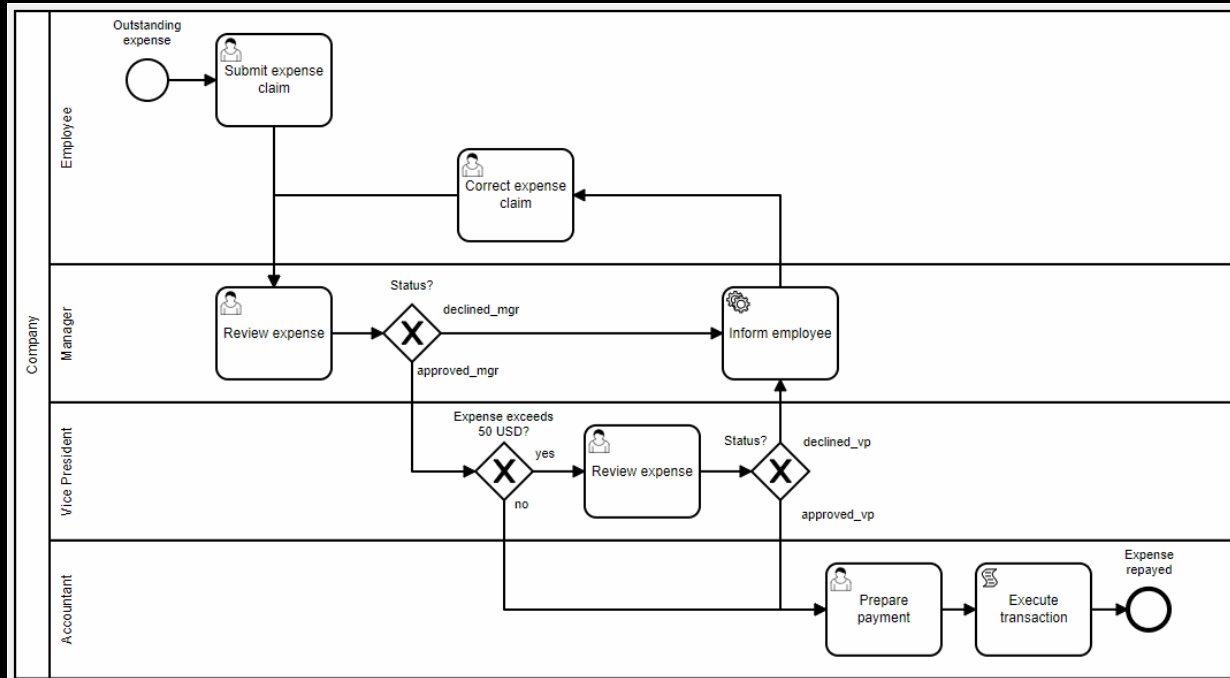
> 10

Industries

16

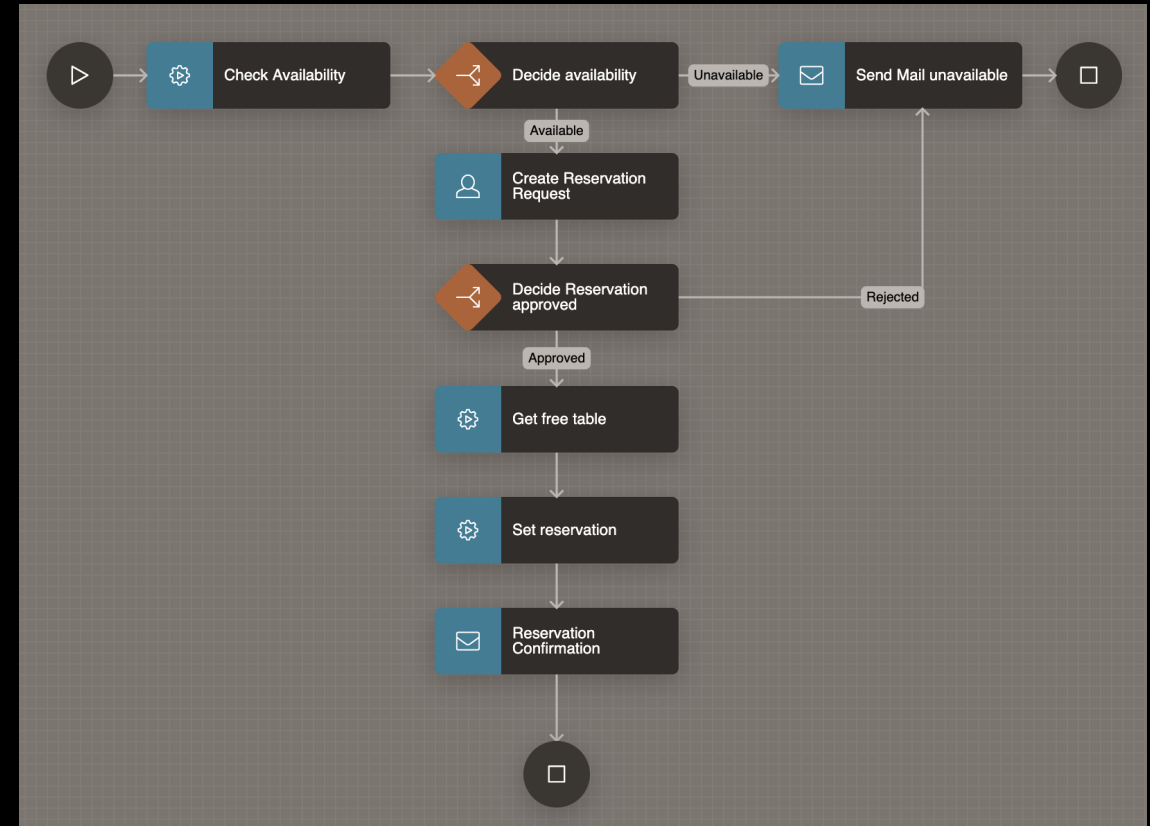
Locations

Flows for APEX 23.1



flowsforapex.org
Tutorial [here](#)

APEX Workflow 23.2



apex.oracle.com
Tutorial [here](#)

Process Automation Options in Oracle APEX 23.2 and Beyond

March 5, 2024 | 10 minute read



Ralf Mueller
Architect

Overview

According to Gartner, "Business Process Automation (BPA) is defined as the automation of complex business processes and functions beyond conventional data manipulation and record-keeping activities, usually through the use of advanced technologies. It focuses on 'run the business' as opposed to 'count the business' types of automation efforts and often deals with event-driven, mission-critical, core processes. BPA usually supports an enterprise's knowledge workers in satisfying the needs of its many constituencies."

Business Process Automation technologies are typically used for the core and mission critical business processes within a company and include Order-to-Cash, Procure-to-Pay, Patient admission and discharge and many more. As a result, BPA has become an important aspect of any Low-Code Application Platform (LCAP) and most vendors in the LCAP space are also offering Process Automation solutions, typically fully embedded and integrated within the LCAP itself.

Currently, there exist two Process Automation solutions

1. **Oracle APEX Workflow (introduced in 23.2)**
2. **Flows for APEX (since 2020)**

The blog will provide a brief overview of both Process Automation solutions and is intended as a guide for developers and customers on when to use which solution.

Executive Summary



Key Differentiator: BPMN 2.0 compatibility

Flows for APEX is based on BPMN 2.0

- Leverage existing BPMN knowledge
- Allows export/import of your models
- Cross platform usage (to a certain extent)
- Leverage AI (see presentation of Richard Allen)

Key Differentiator: Separation of duties

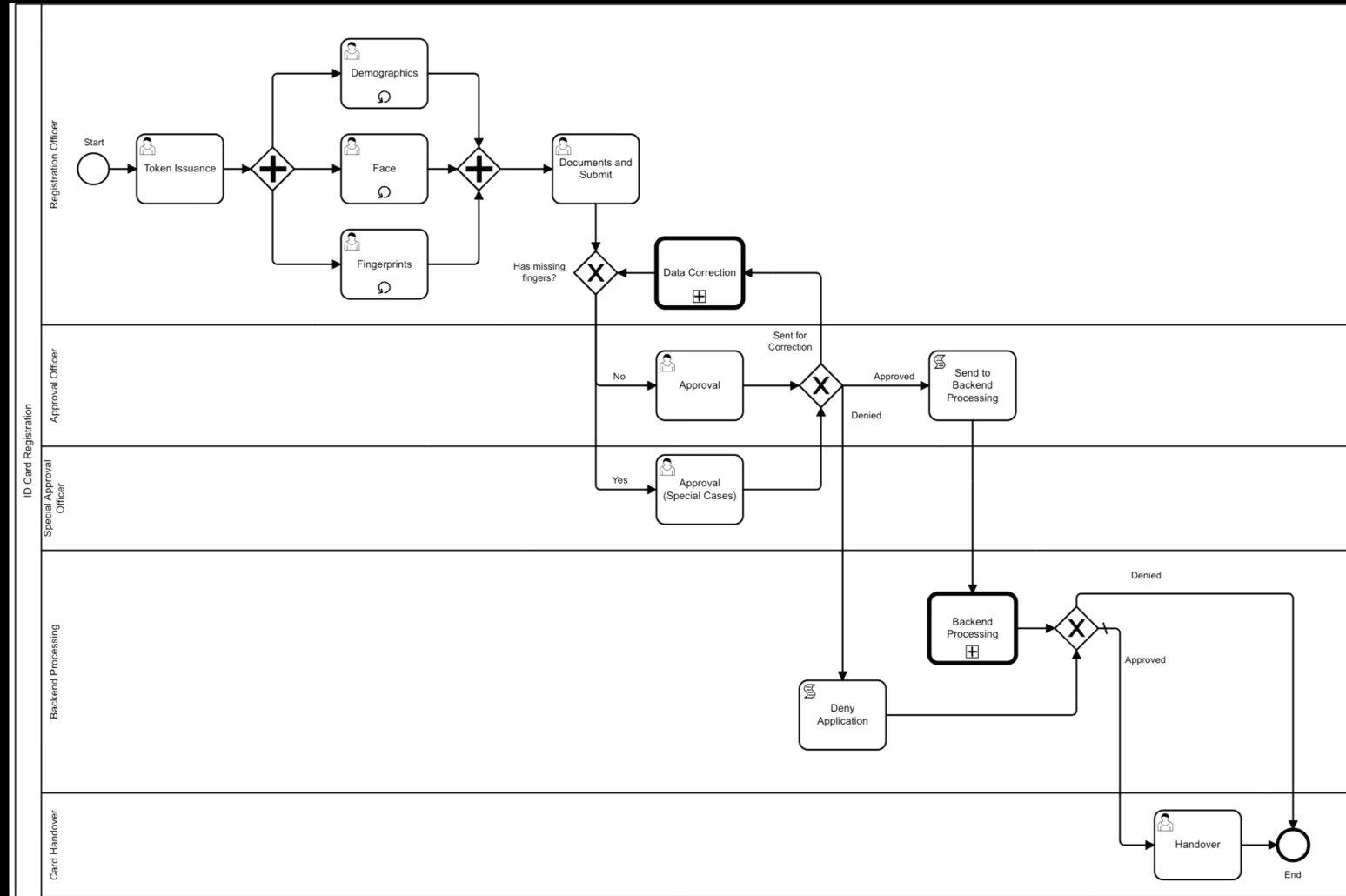
Flows for APEX

- lets you model and test your process without APEX knowledge
 - a process analyst models first, then the APEX developer implements the steps
- has a clean separation of process, application and data
 - process > BPMN (XML), stored in workspace schema
 - application > APEX
 - process instance / app data > workspace schema

Key Differentiator: Maturity

- Flows for APEX additionally offers
 - in-flight process viewer for end-users
 - sub processes
 - call activities
 - parallel gateways
 - (simple) message flows
 - (non) interrupting timers
- Flows for APEX has over 9,000 downloads, 60+ customers, installations seen with over 900,000 instances in total and 5,000 new instances created/day

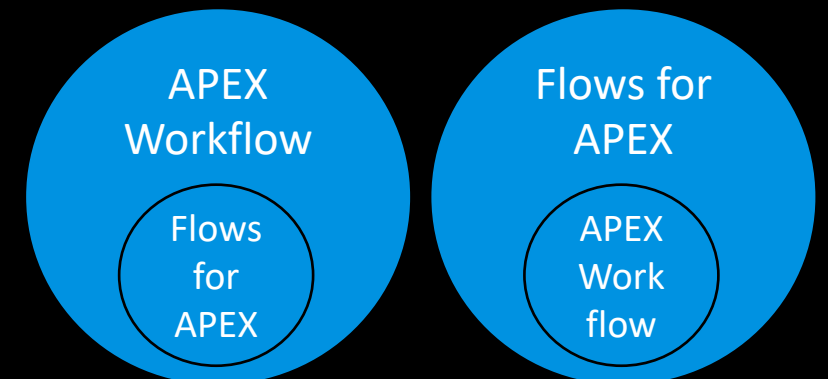
Some 2024 F4A-References: Biometrics Industry



How about Flows for APEX AND APEX Workflow?

My personal view:

- Use Flows for APEX for structured processes that follow a predetermined and repeatable path (ie. procurement processes)
- Use APEX Workflow in APEX 23.1 for small processes
- Leverage messaging between the two (programmatically possible today, declaratively planned for the future)



Let's stay in touch!

These (and more) slides?
knowledgebase.mt-itsolutions.com

Our APEX portfolio?
apex.mt-itsolutions.com

Did you see
lct.software for automated
front-end testing already?

Contact details?
linktr.ee/nielsdebr